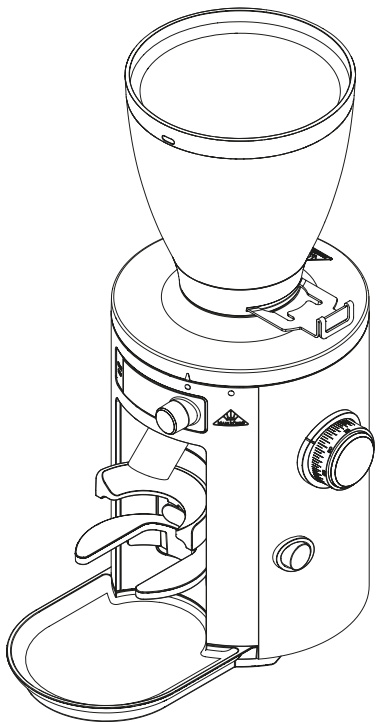


# HOME GRINDER X54

---

ORIGINAL INSTRUCTIONS



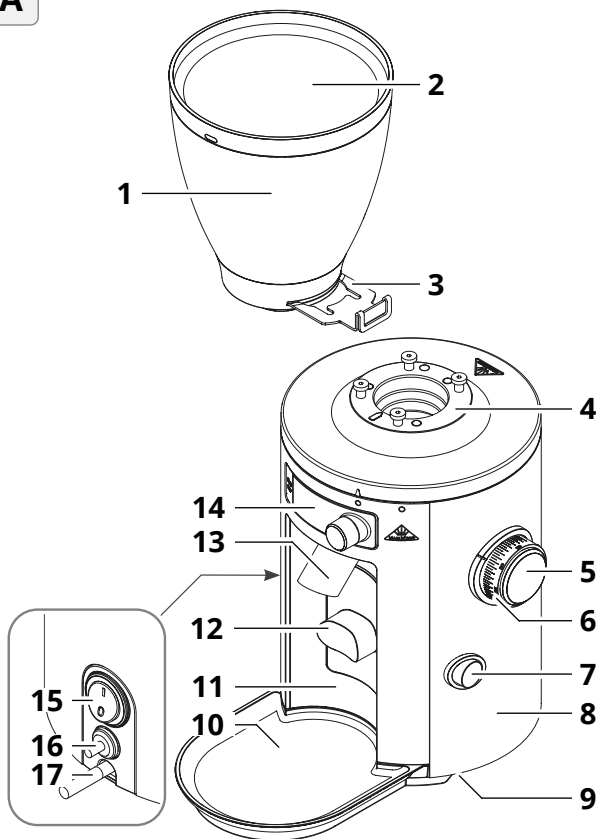
MAHLKÖNIG *home*

[www.mahlkoenig.de](http://www.mahlkoenig.de)

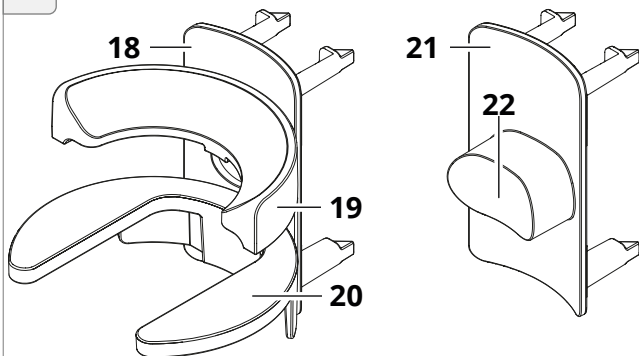


<b>Figures</b> .....	<b>5</b>
<b>Part designations</b> .....	<b>9</b>
<b>General Information</b> .....	<b>11</b>
Reading and retaining the operating manual.....	11
Explanation of symbols used.....	12
<b>Safety</b> .....	<b>14</b>
Intended use of the grinder.....	14
Safety information.....	14
<b>A brief explanation of the basics of the grinder and its function</b> .....	<b>20</b>
Basic settings.....	21
<b>Initial operation</b> .....	<b>22</b>
Check the grinder and scope of delivery.....	22
Before using for the first time.....	22
Selecting the installation location.....	23
Setting up the grinder.....	23
<b>Basic handling</b> .....	<b>24</b>
Using the bean hopper.....	24
Positions of the sliding valve.....	24
Inserting the bean hopper.....	25
Removing the bean hopper.....	26
Selecting the collecting receptacle (portafilter vs. container).....	27
Using the portafilter module.....	27
Inserting the portafilter module.....	27
Removing the portafilter module.....	28
Using the container module.....	28
Inserting the container module.....	28
Removing the container module.....	29
Adjusting the portafilter module.....	29
Filling with espresso/coffee beans.....	30
Changing the type of espresso/coffee bean.....	31

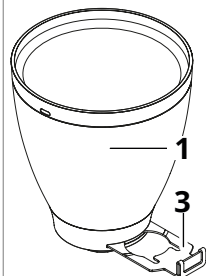
<b>Operation</b> .....	<b>32</b>
Operating steps at a glance.....	32
Switching on the grinder.....	33
Selecting Recipe / Manual Grinding.....	34
Starting grinding.....	34
Grinding with the portafilter module .....	34
Grinding with the container module .....	34
Stopping or interrupting grinding manually .....	35
Stopping grinding manually with the portafilter module....	35
Stopping grinding manually with the container module....	36
After use .....	36
Switching off the grinder .....	36
Using the sleep timer.....	36
Setting the grinder to Sleep mode manually .....	37
<b>Changing settings</b> .....	<b>38</b>
Adjusting the grinding degree .....	38
Defining recipes .....	39
Setting the time for the sleep timer.....	40
<b>Maintenance and service</b> .....	<b>41</b>
Activating/deactivating the WiFi signal .....	42
<b>Optional accessories</b> .....	<b>43</b>
<b>Cleaning</b> .....	<b>44</b>
Cleaning the grinder installation surface.....	45
Cleaning the casing .....	46
Cleaning the bean hopper .....	47
Cleaning the grinder mechanism.....	48
<b>Troubleshooting</b> .....	<b>50</b>
<b>Technical data</b> .....	<b>56</b>
<b>EU Declaration of Conformity</b> .....	<b>57</b>
<b>Disposal</b> .....	<b>58</b>
Disposing of the packaging .....	58
Disposing of the grinder .....	58

**A**

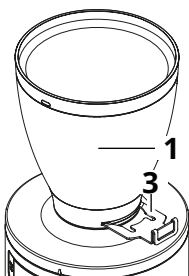
**B**



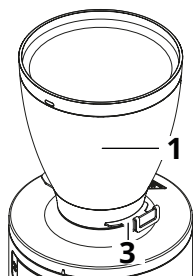
**C**

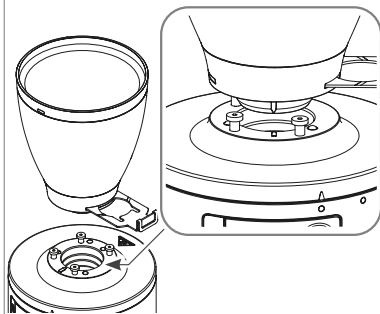
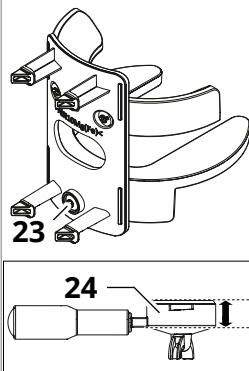
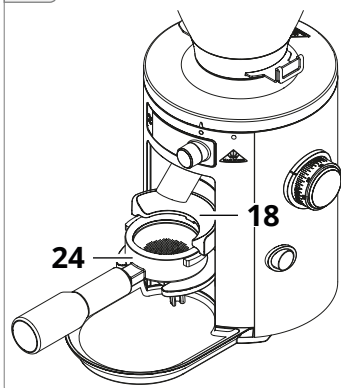
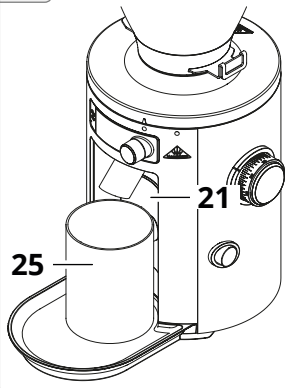


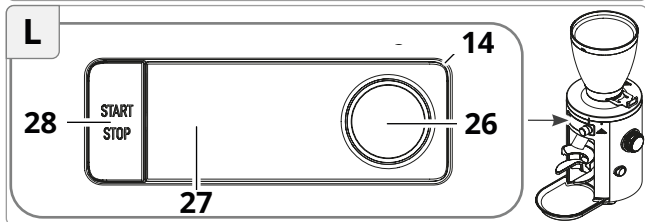
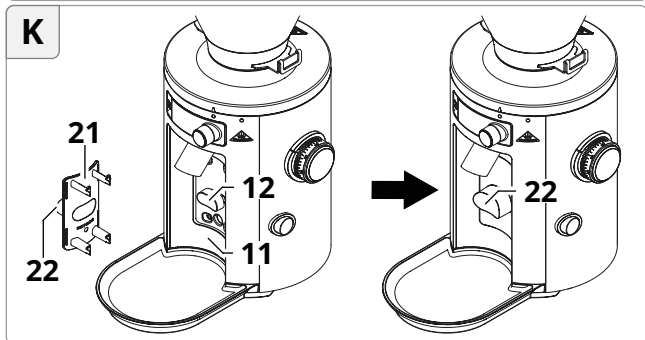
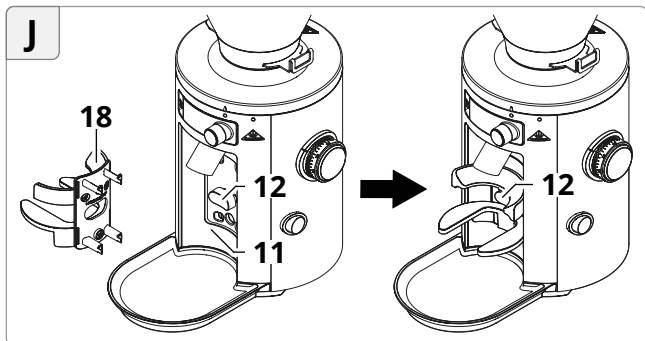
**D**



**E**



**F****G****H****I**





## Part designations

No.	Designation
1	Bean hopper
2	Lid
3	Sliding valve
4	Bean hopper intake
5	Adjusting wheel (adjustment of the grinding degree)
6	Grinding degree scale
7	Pushbutton (module lock)
8	Grinder body
9	Feet
10	Drip tray
11	Module area
12	Portafilter switch
13	Spout
14	Control panel
15	On/Off switch
16	Release button (Thermal overcurrent circuit-breaker)
17	Power cable

**No.    Designation**

- |    |  |
|----|--|
| 18 | Portafilter module                               |
| 19 | Portafilter intake                               |
| 20 | Portafilter support                              |
| 21 | Container module                                 |
| 22 | Switch cover                                     |
| 23 | Screw (height adjustment of portafilter support) |
| 24 | Portafilter*                                     |
| 25 | Container  |
| 26 | Controller ( <i>Jogdial</i> )                    |
| 27 | Display  |
| 28 | START/STOP button                                |

---

\* not supplied

## General Information

### Reading and retaining the operating manual



This document is the **operating manual** for the **Home Grinder X54\***.

Carefully read through this operating manual, especially the safety information, before you start using the grinder. Only in this way can you operate the grinder safely and use all functions optimally and as intended.

Furthermore, always keep this operating manual handy for future reference and pass it on with the grinder to any subsequent owners or other users.

This operating manual is based on the standards and regulations in force in the European Union. Please also note the guidelines and laws of your specific country if abroad.

---

\* The following abbreviations are used below to ensure better readability:  
*Home Grinder X54* = **Grinder**; *Original instructions* = **Operating manual**.

## Explanation of symbols used

You will find various symbols and signal words in this operating manual, on the grinder and on the packaging. Please refer to the following overview for their meaning.

### **WARNING!**

The warning triangle in combination with the signal word WARNING indicates a hazard with a medium degree of risk, which can lead to death or serious injury. Following the instructions reduces the risk associated with the hazard.

### **CAUTION!**

The warning triangle in combination with the signal word CAUTION indicates a hazard with a low degree of risk, which can lead to minor or moderate injury. Following the instructions reduces the risk associated with the hazard.

### **NOTE!**

The exclamation mark in conjunction with the word NOTE indicates a situation which may result in material damage. Following the instructions reduces the risk associated with the situation.



This symbol indicates important information concerning the operation or handling of the grinder.



Declaration of Conformity: Products marked with this symbol fulfil all applicable community provisions of the European Economic Area.



**Intertek**

ETL Listed seal of approval: Products marked with this symbol meet the requirements of electrical product safety in the United States of America.



Products marked with this symbol meet the criteria required by the NSF (*National Sanitation Foundation*) regarding cleanliness and hygiene in the food industry.



Products marked with this symbol are only permitted for use indoors.



This symbol (*General warning sign*) indicates various types of hazards.



This symbol (*Warning of electrical voltage*) indicates an electrical shock hazard.



This symbol indicates that the grinder conforms to protection class I.

## Safety

### Intended use of the grinder

The intended use of the grinder is for grinding whole roasted espresso or coffee beans, and it may only be used for this purpose. Do not use the grinder for grinding other products or objects and do not make any (technical) changes to the grinder.

The grinder is specified for use in private households and in a domestic environment. The maximum filling quantity for the bean hopper is 500 g, and this may not be exceeded. The grinder is expressly not designed for use for commercial purposes (hospitality sector). However, you can use the grinder in a domestic environment in commercial establishments. This refers to e.g. shops, offices or similar working environments as well as farms, in which employees use the grinder, and hotels, motels and other typical residential environments or bed and breakfasts, in which guests use the grinder.

Any other use as well as any manipulation of the grinder is not considered to comply with the intended use and can result in material damage or even personal injury.

The manufacturer or supplier cannot be held liable for any injury or damage resulting from improper use and/or the failure to comply with the safety instructions.

### Safety information

The following *general safety information* must always be complied with for safe use of the grinder: This will enable you to avoid hazardous situations and/or reduce any resulting risks.

 **WARNING!****Danger of electric shock!**

Improper use, incorrect electrical installation or an excessively high voltage can all lead to electric shock.

- Connect the grinder only if the mains voltage of the socket complies with the information indicated on the type plate.
- Connect the grinder only to a socket with good accessibility, so that you can disconnect it quickly from the power supply in the event of a fault.
- Do not use the grinder if you notice any visible damage or if the power cable or plug is faulty.
- If the grinder power cable is damaged, it must be replaced by the manufacturer or by qualified personnel, in order to avoid hazards.
- Keep liquids away from the grinder, power cable and power plug. Also ensure that e.g. the grinder is not exposed to any splash water at the installation location.

- Never touch the power plug with wet hands.
- Never unplug the power plug from the wall socket by pulling on the power cable; always grip the plug itself.
- Never use the power cable as a handle to carry the grinder.
- Keep the grinder and power cable/power plug away from open flames and hot surfaces.
- Do not bend the power cable and do not place it over sharp edges.
- Use the grinder in indoor areas only. Never operate the grinder in damp rooms or in the rain.
- If you are not currently using the grinder, if you are cleaning it or if a fault occurs, switch the grinder off and remove the power plug from the socket.



 **WARNING!**

**Danger for children and persons with reduced physical, sensory or mental capacities (e.g. some disabled persons, older persons with limited physical and mental abilities) or a lack of experience and knowledge (e.g. older children).**

- The grinder is not intended for use by children or people with limited physical, sensory or mental abilities or a lack of experience and knowledge.
- Keep the grinder away from children at all times. Children may not use the grinder or play with the grinder.
- Above all, ensure that small children cannot reach the power cable. If small children pull the power cable, they could be seriously injured by the grinder falling on them.
- Do not leave the grinder unsupervised when in operation.
- Do not let children play with the packaging film. Children can become entangled in it while playing and may suffocate.

- Do not let children play with the small parts. The small parts can be life-threatening if swallowed.

 **CAUTION!**

**Risk of injury!**

Incorrect handling of the grinder can result in injury.

- Place the grinder on a level and stable surface to prevent it from falling off.
- Position the power cable so that nobody can become entangled in it and cause the grinder to fall.

**! NOTE!****Risk of damage!**

The grinder could be damaged by improper handling.

- Do not lift the grinder by the bean hopper; lift only by the casing and always with both hands.
- Ensure that children do not insert any objects into the grinder.
- Do not open the grinder casing; leave repairs to the experts. If repairs are required, please contact a specialist workshop. In the event of unauthorised repairs, faulty connection or incorrect operation, all liability and guarantee claims are excluded. Only parts that comply with the original appliance specifications may be used for repairs. This grinder contains electrical and mechanical parts that are essential for protection against potential hazards.

## A brief explanation of the basics of the grinder and its function

You can use the grinder to grind both espresso beans and coffee beans with **different grinding degrees** (fine – coarse) [see „Adjusting the grinding degree“]. Use the adjusting wheel on the side **(5)** to set the grinding degree.

You can either insert a **portafilter (24)\*** or a **container (25)\*\*** as a **collecting receptacle** to collect the ground material\*\*\* from the grinder, depending on how you wish to prepare the espresso or coffee [see „Selecting the collecting receptacle (portafilter vs. container)“].

You can use the grinder either in **Recipe mode** or in **Manual Grinding mode**.

The **quantity of ground coffee** dispensed per shot, i.e. the dosage quantity, is determined by the **grinding time**. You can define up to **four different recipes** (grinding times) for this purpose [see „Defining recipes“]. The grinding process **ends automatically** after the specified grinding time has been reached. Use the controller (*Jogdial*) **(26)** to select the desired recipe.

You manually control the grinding time by pressing the START/STOP button **(28)** in the Manual Grinding mode. The maximum grinding time is 90 seconds.

---

\* For the preparation of espresso with a portafilter machine.

\*\* For the preparation of coffee or espresso without a portafilter machine.

\*\*\* *Ground material* = the ground espresso/coffee powder

The grinder has a **portafilter switch (12)**: When you insert a **portafilter**, the grinding process **starts automatically**. If you remove the portafilter, you can stop the grinding at any time.

If you use a **container** as a collecting receptacle instead of a portafilter, the portafilter switch is locked: You manually **start** the grinding process by pressing the **START/STOP button**. If you press the START/STOP button again before the set grinding time has elapsed, you can stop the grinding process prematurely.

## Basic settings

On delivery, the following recipes are preset for use in the recipe mode:

**Recipe 1:** 6 seconds (corresponds to approx. 12 g of filter coffee / suitable for 1 cup of coffee).

**Recipe 2:** 30 seconds (suitable for approx. 1 litre of filter coffee).

**Recipe 3:** 20 seconds (suitable for a double shot of espresso).

**Recipe 4:** 10 seconds (suitable for a single shot of espresso).

## Initial operation

### Check the grinder and scope of delivery



Hold the grinder body **(8)** with both hands when lifting the grinder out of the packaging.

1. Remove the grinder and all accessories from the packaging.
2. Check that the delivery is complete (see **Fig. A** and **B**).
3. Check for damage to the grinder or the individual parts. If this is the case, do not use the grinder.

In this case, contact the dealer from whom you purchased the grinder or the Mahlkönig product customer service directly [see „Maintenance and service“].

### Before using for the first time

- » Before using for the first time, clean the bean hopper **(1)** as described in the chapter on "Cleaning" [see „Cleaning the bean hopper“], and grind a small amount of espresso or coffee beans (approx. 5 seconds grinding time) to remove production-related residues.

## Selecting the installation location

Select a place for the grinder that meets the following criteria:

- **level, stable** and **vibration-free surface**;
- **supporting surface non-slip** and **dry**;
- **Socket** for the power connection **within easy reach**;
- Grinder and power cable are **out of the reach** of **small children**.



Some cleaning products contain ingredients which attack the rubberised feet **(9)** of the grinder. This causes the grinder to lose stability.

- » Therefore, only use water and mild cleaning products to clean the standing surface.

## Setting up the grinder



Always grasp the grinder body **(8)** when lifting or moving the grinder. This gives you the best *grip* on the grinder and you do not run the risk of accidentally damaging the more sensitive areas\* of the grinder.

1. Place the grinder in the desired installation location.

The grinder must stand securely on the five rubberised feet **(9)** and may not wobble.

---

\* These include both the components which should not be accidentally operated or adjusted (the START/STOP button **(28)**, the spout **(13)**, etc.) and the housing recess for the drip tray **(10)**, which can break off if the load is too great or unfavourable.

- Place the drip tray (**10**) in the housing recess under the spout (**13**) on the front of the grinder.

The drip tray is held magnetically in the correct position in the housing recess.

## Basic handling

### Using the bean hopper

#### Positions of the sliding valve

The sliding valve (**3**) has three positions in its guide in the bean hopper (**1**), between which it is moved.

Position 1: Sliding valve pulled out to the maximum (see **Fig. C**)

The bean hopper is not locked in the bean hopper intake when the sliding valve is in this position.

You use position 1 when inserting or removing the bean hopper.

Position 2: Sliding valve pushed in up to the marking (see **Fig. D**)

The bean hopper is locked in the bean hopper intake by the sliding valve and is closed to the grinding mechanism in this position.

You use position 2 when "emptying" the grinding mechanism.

Position 3: Sliding valve pushed in to the maximum (see **Fig. E**)

The bean hopper is locked in the bean hopper intake by the sliding valve and is opened up to the grinding mechanism in this position.

You use position 3 for (regular) grinding.



## Inserting the bean hopper

1. Pull the sliding valve **(3)** all the way out of its guide on the bean hopper **(1)** (see **Fig. C**).

The bean hopper can only be inserted when the sliding valve is in position 1 (= pulled out to the maximum).

2. Place the bean hopper on the bean hopper intake **(4)** (see **Fig. F**).

When placing the bean hopper on the bean hopper intake, it must be aligned in such a way that the nose on the lower edge of the bean hopper slides into the corresponding recess in the bean hopper intake.

3. Press the bean hopper down into the bean hopper intake and push the sliding valve in up to the marking (see **Fig. D**).

The sliding valve engages perceptibly in place in position 2 and locks the bean hopper in the correct position in the bean hopper intake.



If the bean hopper cannot be inserted or the sliding valve does not lock the bean hopper, the bean hopper was probably not correctly aligned when it was inserted or the sliding valve was not in position 1 (=pulled out to the maximum) when the bean hopper was inserted.

- » In this case, repeat Step 1 and Step 2 and then press down and push in the sliding valve to lock the bean hopper.

4. When the bean hopper is correctly locked, push the sliding valve all the way in (see **Fig. E**).  
The sliding valve opens up the bean hopper to the grinding mechanism (position 3).
5. Finally, place the lid **(2)** on the bean hopper.

### Removing the bean hopper

1. Pull the sliding valve **(3)** out of its guide in the bean hopper **(1)** up to the marking (see **Fig. D**).  
The sliding valve engages perceptibly in place in position 2 and closes the bean hopper to the grinding mechanism.
2. Grind any beans left in the grinding mechanism until the grinder runs empty ("Emptying").
3. Release the bean hopper locking mechanism by pulling the sliding valve all the way out of its guide on the bean hopper (see **Fig. C**).  
The bean hopper can only be removed from its locking mechanism when the sliding valve is in position 1 (= pulled out to the maximum).
4. Remove the bean hopper upwards from the bean hopper intake **(4)**.



When the machine is switched on with the bean hopper removed, the display shows error E001 and a grinding process is blocked.

## Selecting the collecting receptacle (portafilter vs. container)

The scope of delivery includes two different modules for the respective collecting receptacles\*:

- You use a portafilter (24) with the **portafilter module (18)** (see **Fig. H**) [see „Using the portafilter module“].
- You use a container (25) with the **container module (21)** (see **Fig. I**) [see „Using the container module“].

## Using the portafilter module

### Inserting the portafilter module



To ensure that your portafilter (24) is optimally seated in the portafilter module (18), you need to adjust the portafilter support (20) to a suitable height for your portafilter [see „Adjusting the portafilter module“].

Make this adjustment **before inserting the portafilter module.**

1. Place the correctly aligned portafilter module (18) on the module area (11) under the spout (13) (see **Fig. J**).  
The two pins on the back of the module are aligned with the corresponding holes in the module area and the opening in the module is located in front of the portafilter switch (12).
2. Press and hold down the pushbutton on the side (7) and slide the module into the module area.

---

\* Portafilter () and container

The two pins on the back of the module slide into the holes in the module area.

The portafilter switch in the module area slides smoothly through the opening in the module.

3. Release the pushbutton.

The pins on the back of the module engage in the module area and lock the module in the correct position.

### Removing the portafilter module

1. Press and hold down the pushbutton on the side **(7)** to remove the module **(18)**.

This is how the locking of the module is released.

2. Carefully remove the module from the module area **(11)** towards the front.

Be careful not to tilt the module when pulling it out of the module area: The portafilter switch **(12)** must slide smoothly through the opening in the module.

## Using the container module

### Inserting the container module

1. Place the correctly aligned container module **(21)** on the module area **(11)** under the spout **(13)** (see **Fig. K**).

The two pins on the back of the module are aligned with the corresponding holes in the module area, and the opening of the portafilter switch cover **(22)** is located in front of the portafilter switch **(12)**.

2. Press and hold down the pushbutton on the side **(7)** and slide the module into the module area.

The two pins on the back of the module slide into the holes in the module area.

The portafilter switch in the module area slides smoothly into the portafilter switch cover of the module.

3. Release the pushbutton.

The pins on the back of the module engage in the module area and lock the module in the correct position.

### Removing the container module

1. Press and hold down the pushbutton on the side **(7)** to remove the module **(21)**.

This is how the locking of the module is released.

2. Carefully remove the module from the module area **(11)** towards the front.

Be careful not to tilt the module when pulling it out of the module area: The portafilter switch **(12)** must slide smoothly out of the portafilter switch cover **(22)** in the module.

### Adjusting the portafilter module



To ensure that your portafilter **(24)** is optimally seated in the portafilter module **(18)**, you need to set the portafilter support **(20)** to a suitable height for your portafilter. Make this adjustment before inserting the portafilter module.

1. Use a screwdriver to undo the screw **(23)** of the portafilter support on the back of the module by turning it anti-clockwise (see **Fig. G**).

- The portafilter support **(20)** is lowered as far as it will go.
2. Insert the portafilter **(24)** in the portafilter intake **(19)** of the module.
  3. Push the portafilter support upwards until the portafilter fits exactly between the portafilter support (bottom) and the portafilter intake (top).
  4. Hold the portafilter support in position and fix it by tightening the screw of the portafilter support clockwise with a screwdriver.

## Filling with espresso/coffee beans



Always fill the bean hopper **(1)** with espresso or coffee beans after it has been inserted in the grinder [see „Inserting the bean hopper“]. Do not fill the bean hopper with beans and then insert it.

1. Remove the lid **(2)** from the bean hopper **(1)**.
2. Fill the bean hopper with whole roasted espresso or coffee beans from above.



The **maximum filling quantity** should be approx. 1 cm below the edge of the bean hopper.

3. Replace the lid on the bean hopper.
4. If necessary, push the sliding valve **(3)** as far as it will go in the guide in the bean hopper.

The sliding valve opens up the bean hopper to the grinding mechanism (position 3).

## Changing the type of espresso/coffee bean

1. Remove the bean hopper **(1)** with the *old* type of espresso/coffee beans from the grinder [see „**Removing the bean hopper**“].
2. Remove the remaining espresso beans from the bean hopper.
3. Remove any excess beans from the bean hopper intake **(4)**.
4. Replace the empty bean hopper on the bean hopper intake [see „**Inserting the bean hopper**“].
5. Fill the bean hopper with espresso/coffee beans of the *new* type.
6. Grind 2–3 shots to remove any residue of the old espresso/coffee beans, to warm up the machine and to avoid any fluctuations in the dosage.

# Operation

## Operating steps at a glance



The **basic operating steps** for using the **grinder** are shown in brief in this Chapter.

Detailed descriptions of the individual points can be found in the corresponding sub-chapters.

1. Switch on the grinder [see „Switching on the grinder“].
2. Select the collecting receptacle **(24)/(25)** and insert the matching module **(18)/(21)** [see „Selecting the collecting receptacle (portafilter vs. container)“] / [see „Using the portafilter module“] / [see „Using the container module“].

**Important:** If you are using the portafilter module and want to change settings, do not insert the portafilter yet. You start the grinding process by inserting the portafilter.

3. Select the desired recipe or the Manual Grinding mode [see „Selecting Recipe / Manual Grinding“].

If the recipe or manual grinding has already been set as desired, skip this step and continue with Step 4.

4. Set the grinding degree [see „Adjusting the grinding degree“].

If the grinding degree has already been set as desired, skip this step and continue with Step 5.

5. Insert the collecting receptacle and start the grinding process [see „Starting grinding“].



6. Only for Manual Grinding mode: Press the START/STOP button **(28)** to stop grinding\* [see „Stopping or interrupting grinding manually“].

When grinding according to a recipe, grinding stops automatically after the set grinding time has elapsed.

7. Remove the collecting receptacle with the ground material.

## Switching on the grinder

1. Ensure that the grinder is switched off.

The on/off switch **(15)** on the back of the grinder must be in the **0** position (=OFF).

2. Insert the power plug in the socket.

Use a properly installed safety socket for the mains connection of the grinder.


3. Switch off the grinder by setting the on/off switch to the **I** position (=ON).

The grinder is ready for operation as soon as the last selected recipe or the start screen appears on the display **(27)**.

---

\* After the maximum grinding time of 90 seconds has elapsed, grinding is ended automatically, also in the Manual Grinding mode.

## Selecting Recipe / Manual Grinding

- » Simply turn the controller (*logdial*) **(26)** clockwise or counterclockwise until the display **(27)** shows the number of the desired recipe or the symbol  for Manual Grinding.

The time display shows the grinding time for the selected recipe.\*

## Starting grinding



When grinding according to a recipe, the display **(27)** shows the remaining time of the set grinding time, i.e. the displayed time decreases.

When manual grinding, the display shows the current grinding time, i.e. the displayed time increases.

## Grinding with the portafilter module

- » Push the portafilter **(24)** all the way in between the portafilter intake **(19)** and the portafilter support **(20)** until it rests against the portafilter switch **(12)** (see **Fig. H**).

Grinding starts automatically when the portafilter is inserted, thereby triggering the portafilter switch.

## Grinding with the container module

1. Place the container **(25)** in the module area **(11)** (see **Fig. I**).

---

\* No grinding time is displayed in the Manual Grinding mode before grinding is started.

The container opening must be located centrally under the spout **(13)**.

2. Briefly press the START/STOP button **(28)** once.  
Grinding starts.

## Stopping or interrupting grinding manually

You can manually stop the grinding in progress at any time, regardless of whether you are in Manual Grinding mode or Recipe mode\*.

The time\*\* shown in the display **(27)** stops and is paused for the duration of the abort time\*\*\*.

You can resume grinding as long as the stopped time is shown in the display.

- » To resume grinding, simply follow the normal starting procedure [see „Starting grinding“].

## Stopping grinding manually with the portafilter module

- » Simply remove the portafilter **(24)** from the portafilter module **(18)** to stop grinding.

Grinding stops automatically when the portafilter is removed, thereby releasing the portafilter switch **(12)**.

or

- » Briefly press the START/STOP button **(28)** once to stop grinding.

---

\* You cannot manually stop the grinding process in Recipe mode until the set grinding time has elapsed.

\*\* The displayed time corresponds to the remaining time of the set grinding time in Recipe mode and to the already expired grinding time in Manual Grinding mode.

\*\*\* The abort time is approx. 3 seconds.

## Stopping grinding manually with the container module

- » Briefly press the START/STOP button **(28)** once to stop grinding.

## After use

### Switching off the grinder

- » Switch off the grinder after use or when you are no longer supervising the grinder and disconnect the power plug.

### Using the sleep timer



The sleep timer causes the switched-on grinder to automatically switch to Sleep mode\* after a previously set period of time after the last use has elapsed.

The red LED in the display flashes slowly while the grinder is in sleep mode.

Do not leave the grinder unattended when it is switched on, even in Sleep mode.

1. If required, set the time for the sleep timer [see „**Setting the time for the sleep timer**“].
2. After the set time from the last use has elapsed, the switched-on grinder automatically switches to Sleep mode.

The indication in the display **(27)** disappears.

---

\* The display goes out and the grinder reduces its energy consumption in Sleep mode.

3. Press any control element\* to wake up the grinder from Sleep mode.

The display changes to the last selected recipe/mode\*\*.

## Setting the grinder to Sleep mode manually



You can also set the grinder to Sleep mode manually without using the sleep timer.

1. Use the controller (*Jogdial*) **(26)** to set the Manual Grinding mode.
2. Press and hold down the controller (*Jogdial*) (approx. 2-3 seconds).

The switched-on grinder immediately switches to Sleep mode.

The indication in the display **(27)** disappears.

3. Press any control element\* to wake up the grinder from Sleep mode.

The display changes to the last selected recipe/mode\*\*.

---

\* The control elements include the START/STOP button **(28)**, the controller (*Jogdial*) **(26)** and the *portafilter switch* **(12)**.

\*\* The last selected recipe or mode means the option which the user last set for at least 3 sec.

## Changing settings

### Adjusting the grinding degree



You can use the adjusting wheel on the side **(5)** for stepless adjustment of the desired grinding degree: The finest setting on the grinding degree scale **(6)** is "01", the maximum (coarsest) setting is "35".

Approximate values for the grinding degree setting are:

- Espresso            01-05
- Café crème        05-15
- Filter coffee       15-25
- FrenchPress       > 25

- » Turn the adjusting wheel **(5)** so that the marking on the adjusting wheel points to the desired grinding degree of the grinding degree scale **(6)**.

#### Turning clockwise:

Increases the grinding degree (= sets a coarser grinding degree)

#### Turning anti-clockwise:

Decreases the grinding degree (= sets a finer grinding degree).



**Decrease** the grinding degree **only, when the grinder is in operation.**

## Defining recipes

Proceed as follows if you would like to change the grinding time of a new recipe or if you want to change that of an existing recipe:

1. Select the number of the desired recipe in the display **(27)** by turning the controller (*Jogdial*) **(26)** [see „Selecting Recipe / Manual Grinding“].
2. Press and hold down the controller (*Jogdial*) (approx. 2-3 seconds).  
The first digit of the grinding time currently set for the selected recipe starts to flash in the display.
3. Turn the controller (*Jogdial*) to set the flashing digit and confirm the setting by briefly pressing the controller once.  
The next digit of the grinding time then flashes. After repeating this process for all digits, the number of the recipe flashes.
4. If required, change all digits and/or the number of the recipe as described in Step 3, in order to set the desired (new) grinding time\* and/or assign a new number to the recipe.
5. Press and hold down the controller (*Jogdial*) again (approx. 2-3 seconds) to confirm the newly set grinding time/recipe number.

**or**

Briefly press the START/STOP button **(28)** once to reject the new setting.

---

\* The maximum grinding time which can be set for recipes is 90 seconds.

The display changes to the last selected recipe/mode\*.



If you do not make any settings for more than 5 seconds (by turning/pressing the controller (*Jogdial*)), the process will be cancelled.

## Setting the time for the sleep timer

1. Use the controller (*Jogdial*) **(26)** to set the Manual Grinding mode.
2. Press and hold down the controller (*Jogdial*) **(26)** and the START/STOP button **(28)** simultaneously (approx. 2-3 seconds).

You enter the setting mode for the sleep timer.

Four underscores appear in the display **(27)** at one second intervals.

After four seconds, the display changes and the text **AUTO SLEE P in** is displayed.

3. Release the depressed control elements and turn the controller (*Jogdial*) clockwise or anticlockwise to select the desired time for the sleep timer.

Possible selection for setting the time of the sleep timer:

3 min, 5 min, 10 min, 20 min and 30 min.

4. Press and hold down the controller (*Jogdial*) again (approx. 2-3 seconds) to confirm the time setting for the sleep timer.

The display changes to the last selected recipe/mode\*\*.

---

\* The last selected recipe or mode means the option which the user last set for at least 3 sec.

\*\* The last selected recipe or mode means the option which the user last set for at least 3 sec.



## Maintenance and service

- » Please contact the customer service for Mahlkönig products if you require service support. To do so, visit the Mahlkönig service platform at:

[www.mahlkoenig.de](http://www.mahlkoenig.de)



Customer Service can answer your questions about repairing and maintaining the grinder and spare parts.

Our application consulting team will be happy to help you with questions concerning our products and their accessories.

- » Please be sure to quote the **article** and **serial number** as stated on the grinder type plate for all enquiries and spare parts orders.

Useful information about the handling of the grinder can also be found in the videos about the X54 on the **YouTube channel** of **Mahlkönig**.


- » Scan the following QR code to go directly to the YouTube channel with the videos about the X54:



## Activating/deactivating the WiFi signal



Useful software updates for the grinder can be easily installed when the WiFi is activated. You can also retrieve usage statistics, error messages and other data about your grinder online. Detailed information can also be found in the videos about the X54 on Mahlkönig's YouTube channel [see „Maintenance and service“].

When the WiFi signal is activated, the  symbol lights up in the display (27).

1. Turn the controller (*Jogdial*) (26) to select the WiFi ON/OFF option in the display (27).
2. Press and hold down the controller (*Jogdial*) (approx. 2-3 seconds) to enter the setting mode for the WiFi signal.
3. Turn the controller (*Jogdial*) clockwise or anticlockwise to select the desired setting option for the WiFi signal.

Possible setting options for the WiFi signal:

**ON** (=WiFi switched on), **OFF** (=WiFi switched off), **rSet**.

rSET resets the WiFi settings to the factory settings (WiFi symbol is greyed out).

4. Press and hold down the controller (*Jogdial*) (approx. 2-3 seconds) to confirm the selected setting option for the WiFi signal.

## Optional accessories

Mahlkönig is constantly working to further develop its existing products and to open up new avenues for coffee lovers worldwide through technical innovations. In terms of user satisfaction and sustainability, it is particularly important to us that our existing products can be retrofitted (as far as possible) with new technologies and new accessories. This means that you will also benefit from our (future) innovations.

- » Simply visit our homepage [www.mahlkoenig.de](http://www.mahlkoenig.de).

With a bit of luck, you will discover **brand new optional accessories** for your grinder there, and you may be able to adapt it even better to suit your personal taste - for **your** very own **coffee enjoyment**.

## Cleaning

### **WARNING!**

#### **Danger of electric shock!**

There is a risk of electric shock if electrical components are handled improperly.

- Switch off the grinder and disconnect the power plug from the socket before starting to clean the grinder.

### **NOTE!**

#### **Risk of damage!**

The grinder could be damaged by improper cleaning.

- Do not clean the grinder with compressed air (e.g. with a compressed air gun).
- Do not immerse the grinder or the power cable or power plug in water or any other liquids.
- Never clean the grinder with a water jet.
- Ensure that no water or other liquids make their way into the casing.

- Do not use any harsh cleaning products or sharp or metallic cleaning objects such as knives, metal scouring pads or similar. These can scratch the surface.
- Do not wash the drip tray or the lid of the bean hopper in the dishwasher. The parts are not suitable for this and the colour may fade.
- Do not lift the grinder by the bean hopper; lift only by the casing and always with both hands.

### **Cleaning the grinder installation surface**

1. Switch off the grinder (on/off switch **(15)** in the **0** position) and remove the power plug from the socket.
2. Lift the grinder by the grinder body **(8)** using both hands and place it on a clean surface.
3. Clean the installation surface and the underside of the grinder with a damp cloth and dry the surfaces. The surfaces must be dry and free of oil and grease.
4. Place the grinder back on the cleaned surface.

## Cleaning the casing



Clean the casing at regular\* intervals.

The manufacturer recommends using a brush with nylon bristles for cleaning.

1. Switch off the grinder (on/off switch **(15)** in the **0** position) and remove the power plug from the socket.
2. If required, remove the module **(18)/(21)** inserted in the grinder [see „Removing the portafilter module”] / [see „Removing the container module”].
3. Use a brush to clean the following grinder components:
  - the spout **(13)**
  - the portafilter switch **(12)**
  - the holes in the module area **(11)**
4. Remove the drip tray **(10)** from the grinder towards the front.
5. Wipe the casing and the drip tray with a damp cloth.

---

\* The intervals at which you should clean the casing depend on your usage behaviour, amongst other things. Clean the casing at least once a week with frequent use.

## Cleaning the bean hopper



The bean hopper must be cleaned regularly\* to remove any coffee oil residues, as this can have a detrimental effect on the taste.

1. Remove the bean hopper **(1)** with any espresso/ coffee beans which it may still contain [see „**Removing the bean hopper**“].
2. Temporarily transfer the espresso/coffee beans to another container.
3. Use a damp cloth to clean the inside and outside of the bean hopper and the lid **(2)** and allow them to dry.
4. Remove any excess beans from the bean hopper intake **(4)**.
5. Reinsert the empty bean hopper in the bean hopper intake [see „**Inserting the bean hopper**“].
6. Pour the espresso/coffee beans back into the bean hopper.

---

\* The intervals at which you should clean the bean hopper depend on your usage behaviour, amongst other things. It is best to clean the bean hopper daily if it is frequently used.

## Cleaning the grinder mechanism



The manufacturer recommends cleaning with GRINDZ™ grinder cleaner.

You will find more information on GRINDZ™ at [www.mahlkoenig.de](http://www.mahlkoenig.de).

Clean the grinder regularly\* to prevent fluctuations in the dosage and premature wear.

1. Set the grinding degree to a medium setting [see „Adjusting the grinding degree“].
2. Remove the bean hopper **(1)** with any espresso/ coffee beans which it may still contain [see „Removing the bean hopper“].
3. Insert the container module **(21)** in the module area **(11)** [see „Inserting the container module“].
4. Pour the grinder cleaner into the grinding mechanism directly from above.  
Observe the quantities specified by the manufacturer for the grinder cleaner you are using.
5. Remove any excess grinder cleaner from the bean hopper intake **(4)**.
6. Reinsert the bean hopper but keep it closed to the grinding mechanism (sliding valve **(3)** in position 2) [see „Inserting the bean hopper“].

---

\* The intervals at which you should clean the grinder mechanism depend on your usage behaviour, amongst other things. Clean the grinder mechanism at least once a week with frequent use.



7. Place a bowl in the module area under the spout **(13)** to collect the grinder cleaner.
8. If required, switch to the Manual Grinding mode and then press the START/STOP button **(28)** to start grinding.
9. Allow the maximum grinding time\* to elapse and repeat the process several times if necessary until the grinder cleaner has been ground completely.
10. Now push the sliding valve all the way in.  
The sliding valve opens up the bean hopper to the grinding mechanism (position 3).
11. Grind the same amount of espresso/coffee beans as you did grinder cleaner, in order to remove leftover cleaning particles.  
Reset the grinding degree to the desired setting during the grinding process.
12. Dispose of the ground grinder cleaner and the ground espresso/coffee beans in the commercial/ domestic waste.

---

\* The maximum grinding time is 90 seconds.

## Troubleshooting

Fault	Cause / Remedy
The grinder is not grinding, the display is not lit up.	<p>The power plug is not plugged into a socket.</p> <ul style="list-style-type: none"> <li>» Insert the power plug into a properly installed socket.</li> </ul>
	<hr/> <p>The overcurrent protection switch was triggered.</p> <ul style="list-style-type: none"> <li>» Check whether the circuit breaker's release button <b>(16)</b> has popped out. Push it back in if necessary.</li> <li>» If the button continues to pop out, contact the customer service for Mahlkönig products [see „Maintenance and service“].</li> </ul>
	<hr/> <p>The electrical fuse has tripped.</p>
The grinder does not grind, the display shows error message <b>E001</b> .	<hr/> <p>The bean hopper has not been inserted.</p> <ul style="list-style-type: none"> <li>» Insert the bean hopper [see „Inserting the bean hopper“].</li> </ul>

**Fault****Cause / Remedy**

The grinder is making noise but not grinding.

The grinding mechanism is clogged. / The grinding degree is too fine.

1. Set the grinding degree to the maximum setting [see „Adjusting the grinding degree“].
2. Start grinding [see „Starting grinding“].  
The grinder will clear itself.
3. Then set the desired grinding degree during operation.

Ground coffee has built up in the grinder because of an excessive amount of coffee in the *portafilter*.



1. Clean the spout [see „Cleaning the casing“].
2. Set the grinding degree to the maximum setting [see „Adjusting the grinding degree“].
3. Start grinding [see „Starting grinding“].  
The grinder will clear itself.
4. Then set the desired grinding degree during operation.

A foreign object has got into the grinding mechanism.

- » Please contact the customer service for Mahlkönig products [see „Maintenance and service“].

<b>Fault</b>	<b>Cause / Remedy</b>
The grinder is not grinding fine enough.	The grinding discs are worn out or require readjustment. » Please contact the customer service for Mahlkönig products [see „Maintenance and service“].
The grinder does not grind continuously or the grinding process stops intermittently.	The portafilter switch is defective. » Please contact the customer service for Mahlkönig products [see „Maintenance and service“].

Fault	Cause / Remedy
The grinder's dispensing accuracy is decreasing.	<p>The spout is clogged. Too much ground material has been deposited in solid form inside the grinder.</p> <ol style="list-style-type: none"> <li>1. Clean the spout [see „Cleaning the casing“].</li> <li>2. Set the grinding degree to the maximum setting [see „Adjusting the grinding degree“].</li> <li>3. Start grinding [see „Starting grinding“]. The grinder will clear itself.</li> <li>4. Then set the desired grinding degree during operation.</li> </ol>
	<hr/> <p>The grinder spout is damaged.</p> <ul style="list-style-type: none"> <li>» Please contact the customer service for Mahlkönig products [see „Maintenance and service“].</li> </ul>
The bean hopper cannot be attached.	<hr/> <p>There are beans in the bean hopper intake.</p> <ul style="list-style-type: none"> <li>» Remove the beans from the bean hopper intake <b>(4)</b>.</li> </ul> <hr/>

Fault	Cause / Remedy
<p>The  symbol appears in the display (in red).</p>	<ul style="list-style-type: none"> <li>» Use the controller (<i>Jogdial</i>) to select the  symbol.</li> <li>» Briefly press the controller (<i>Jogdial</i>) once to confirm the selection and enter the error menu.</li> </ul> <p>The current error message is displayed in the error menu.</p> <p>The error messages which can be displayed in the error menu are listed below.</p>
<p>Error message <b>E002</b> is shown in the error menu.</p>	<p>No WiFi connection to an external station possible.</p> <ol style="list-style-type: none"> <li>1. Switch the grinder off and on again [see „Switching off the grinder“] / [see „Switching on the grinder“].</li> <li>2. Reset the WiFi setting by selecting the <b>rSEt</b> option [see „Activating/deactivating the WiFi signal“].</li> <li>3. Please contact the customer service for Mahlkönig products [see „Maintenance and service“].</li> </ol>

**Fault****Cause / Remedy**

Error message **E003** is shown in the error menu.

The grinder automatically switches to manual grinding degree mode. This mode cannot be exited by any means as long as this error code is active.

- » Please contact the customer service for Mahlkönig products [see „Maintenance and service“].

Error message **E004** is shown in the error menu.

An LED in the display has failed.

1. Switch the grinder off and on again [see „Switching off the grinder“] / [see „Switching on the grinder“].
2. If the error message remains, contact the customer service for Mahlkönig products [see „Maintenance and service“].

Error message **E008** is shown in the error menu.

Product identification in the log files is not possible.

1. Switch the grinder off and on again [see „Switching off the grinder“] / [see „Switching on the grinder“].
2. Please contact the customer service for Mahlkönig products [see „Maintenance and service“].

Fault	Cause / Remedy
Error message <b>E010</b> is shown in the error menu.	The grinding discs are worn and the quality of the ground material is deteriorating. The grinding discs must be replaced. <ul style="list-style-type: none"> <li>» Please contact the customer service for Mahlkönig products [see „Maintenance and service“].</li> </ul>

## Technical data

Model:	X54		
Voltage / frequency:	220–240 V; 50/60 Hz	110–120 V; 60 Hz	100 V; 50/60 Hz
Idle speed:	1 000 rpm	1 050 rpm	1 050 rpm
Protection type:	IPX1		
Protection class:	I ⊕		
Sound emission value (during grinding):	65 dB(A)		
Grinding output (fine–coarse):	1–2.8 g/s*		
Max. permitted operating cycle:	10 seconds on / 50 seconds off		

\* The grinding output and the maximum daily output are dependent on the selected type of espresso/coffee bean, the selected degree of grinding and the mains frequency.



Recommended pause:	50 seconds
Max. daily output:	1.7 kg*
Dimensions (W × D × H):	19 × 28 × 42.5 cm
Weight (net):	5.1 kg
Max. filling quantity for the bean hopper:	500 kg



This product uses GPL/LGPL open source software in some areas.

Information on GPL/LGPL licenses can be found at [www.mahlkoenig.de](http://www.mahlkoenig.de).

## EU Declaration of Conformity

Hemro International AG hereby declares that the X54 (home) coffee grinder complies with the essential health and safety requirements of all relevant European directives.

The complete text of the EU Declaration of Conformity is available at the following Internet address: [www.mahlkoenig.de](http://www.mahlkoenig.de).

\* The grinding output and the maximum daily output are dependent on the selected type of espresso/coffee bean, the selected degree of grinding and the mains frequency.

## Disposal

### Disposing of the packaging



Dispose of the packaging by correctly sorting the recyclable materials. Dispose of card and cardboard as waste paper and film as recyclable material.

### Disposing of the grinder



**Old appliances may not be thrown into commercial/domestic waste!**

As a consumer, you are required **by law to dispose of old equipment separately from commercial/household waste**, e.g. at a collection point in your municipality/district, if you can no longer use your grinder. This ensures that old appliances are recycled professionally and negative impacts on the environment are avoided. For this reason, electrical appliances are labelled with the symbol opposite.



